

Here's how easy it is to select your own **EzyVent™ Ventilation System**

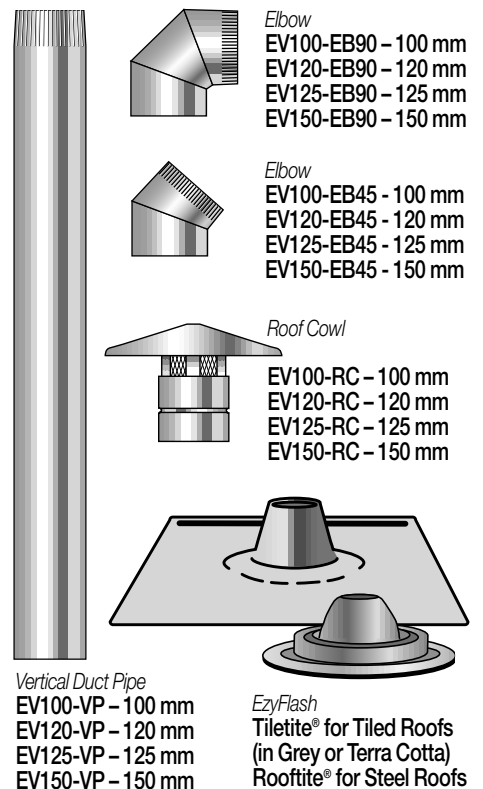
EzyVent™ is the quick, clean, safe, elegant solution to your rangehood ventilation needs. Just choose the configuration to suit your situation.

The key is to select the right diameter to ensure that your **EzyVent™** system connects properly to your rangehood, with

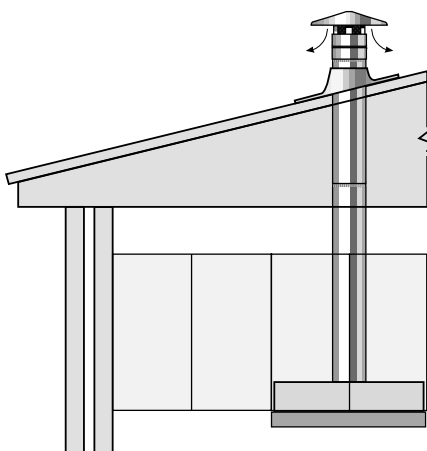
either top or rear outlet.

The six components are available in four sizes to fit most rangehood outlet/ coupling ring diameters.

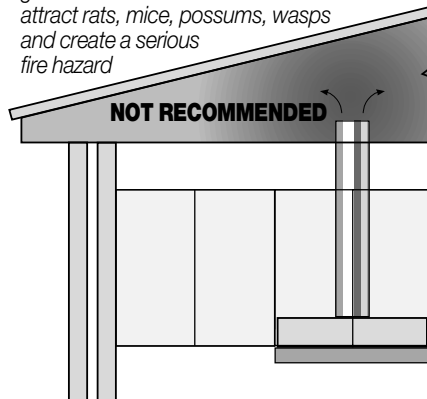
The two **EzyFlash** flashing units are adaptable to all diameters in the **EzyVent™** range.



Venting to Roof or Ceiling



Venting into ceiling space causes build-up of grease and other flammable materials that attract rats, mice, possums, wasps and create a serious fire hazard



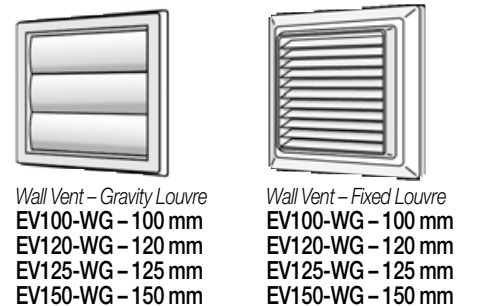
Outlet to roof

- EV120-VP Venting Duct Pipe(s)
- EV120-RC Roof Cowl
- **EzyFlash** Flashing

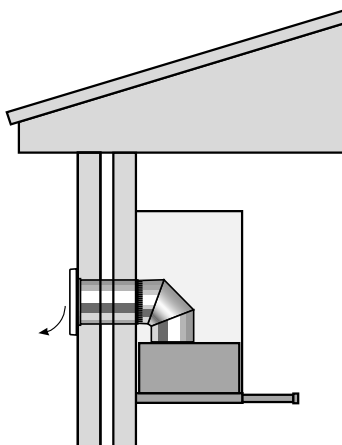
Outlet to ceiling

- EV120-VP Venting Duct Pipe (900mm unit will reach from rangehood into most ceilings)

Note: Venting to outside is preferable.

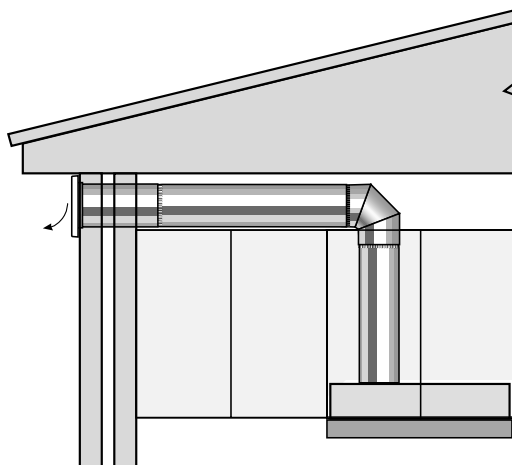


Venting to Rear Wall or Side Wall



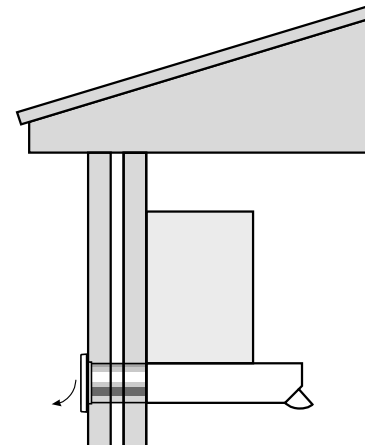
Outlet to rear wall

- EV120-EB90 Elbow
- EV120-VP Venting Duct Pipe
- EV120-WG Wall Vent



Outlet to side wall

- EV120-EB90 Elbow
- EV120-VP Venting Duct Pipe
- EV120-WG Wall Vent



Round rear outlet to rear wall

- EV120-VP Venting Duct Pipe
- EV120-WG Wall Vent