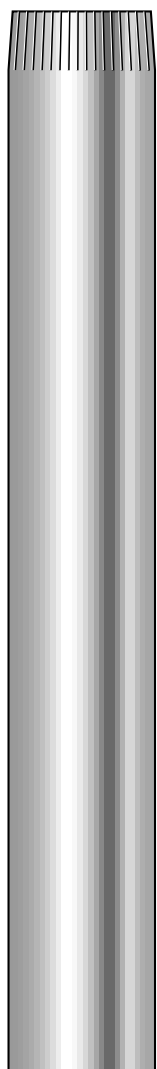
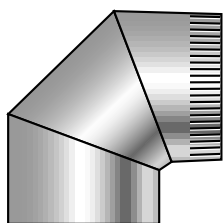


EzyVent™ System Components



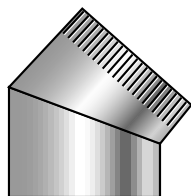
Ventilation Pipe

EV100-VP
EV120-VP
EV125-VP
EV150-VP
Galvanised steel pipe.



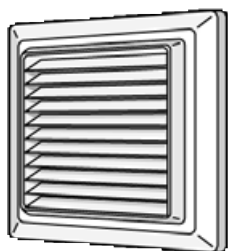
90° Elbow

EV100-EB90
EV120-EB90
EV125-EB90
EV150-EB90



45° Elbow

EV100-EB45
EV120-EB45
EV125-EB45
EV150-EB45



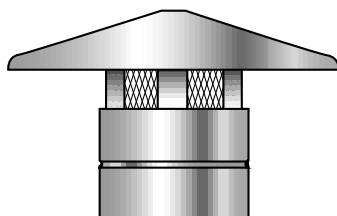
Wall Vent Fixed Louvre

EV100-WF
EV120-WF
EV125-WF
EV150-WF



Wall Vent Gravity Louvre

EV100-WG
EV120-WG
EV125-WG
EV150-WG
Suited for walls exposed to winds or in colder climates.



Roof Cowl

EV100-RC
EV120-RC
EV125-RC
EV150-RC

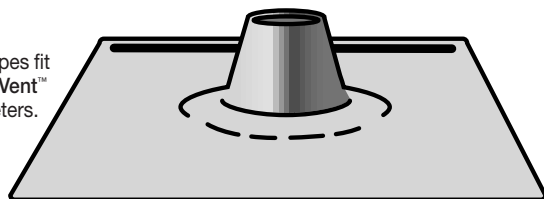
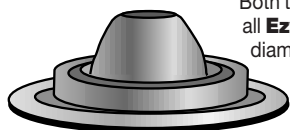
Tiled Roof Flashing

EVF-TG Grey
EVF-TR Terracotta Red

Steel Roof Flashing

EVF-SG

Both types fit all EzyVent™ diameters.



EzyVent™

Modular Rangehood Ventilation System

Installation Guide

Installing **EzyVent™** system components is as simple as fitting the crimped end of one component into the uncrimped end of the next, and making sure the fit is snug enough to stop air from the rangehood escaping and to ensure the whole ventilation system is stable and secure.

Hint: Crimped ends should always point away from the rangehood to allow free flow of air and to prevent leaks around the joints.

You'll need appropriate tools to penetrate the ceiling, side wall or roof, but the only tool you'll need, if any, to fit your **EzyVent™** components will be tin snips or hacksaw. (Or an angle grinder with an abrasive metal cut-off disc.)

EzyVent

Suite 34, 86 Grimshaw Street
Greensborough VIC 3088

Telephone 1800 010 424

Facsimile 1800 010 464

Email help@ezyvent.com.au

Web sites

www.ezyvent.com.au

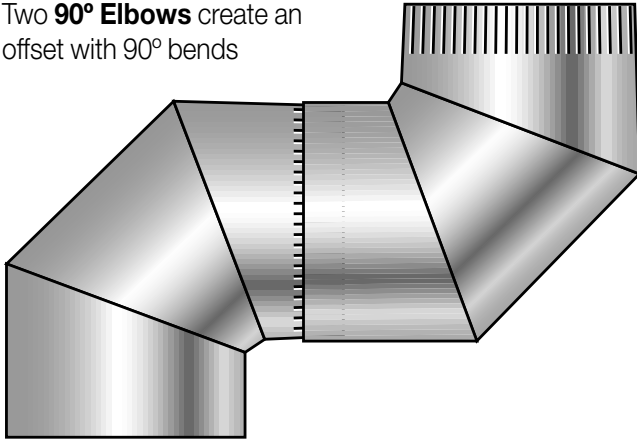
www.rangehoods.info

www.ezyvent.com.au

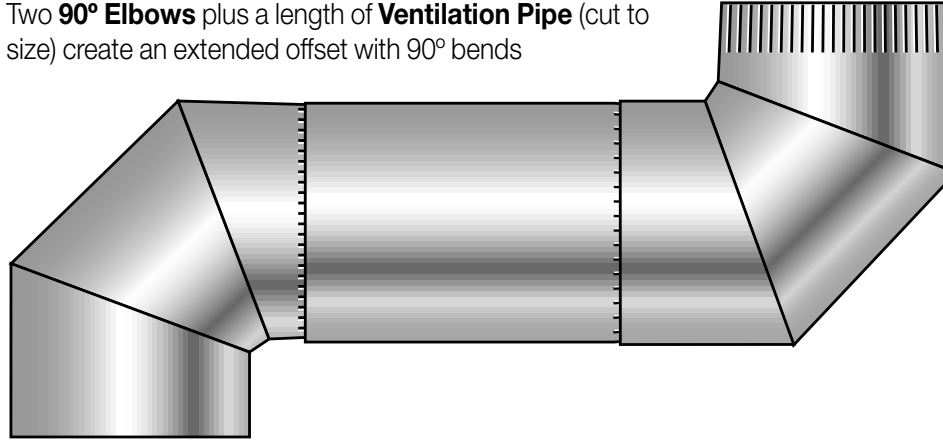
Flexibility plus stability

EzyVent™ components combine to solve any ventilation challenge for circular outlet rangehoods and still retain their strength, stability and dimensional integrity while delivering peak performance

Two **90° Elbows** create an offset with 90° bends



Two **90° Elbows** plus a length of **Ventilation Pipe** (cut to size) create an extended offset with 90° bends

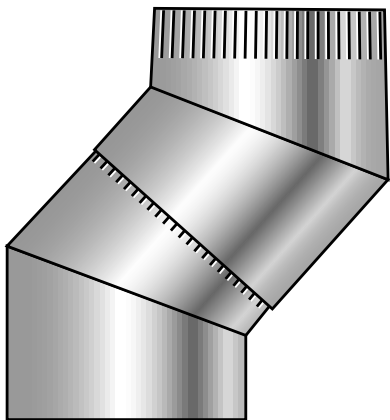


Important

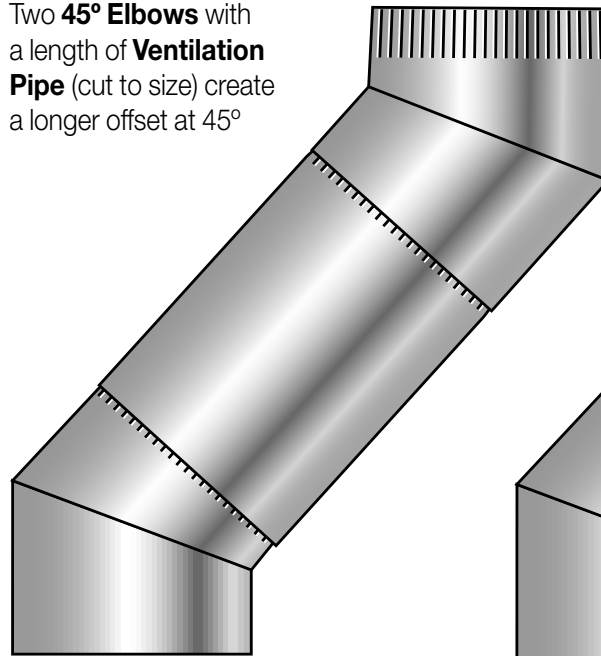
Crimped ends must always be positioned furthest away from the rangehood and the joints fitted snugly to allow proper air flow through the system.

Always remove excess material from Ventilation Pipe from the **uncrimped** end (except when connecting to a Wall Vent – see instructions inside).

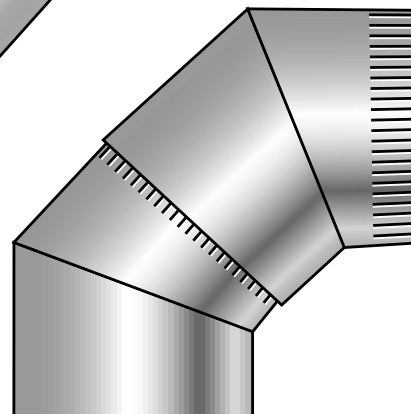
Two **45° Elbows** create a narrow offset equal to approximately half the diameter of the system components



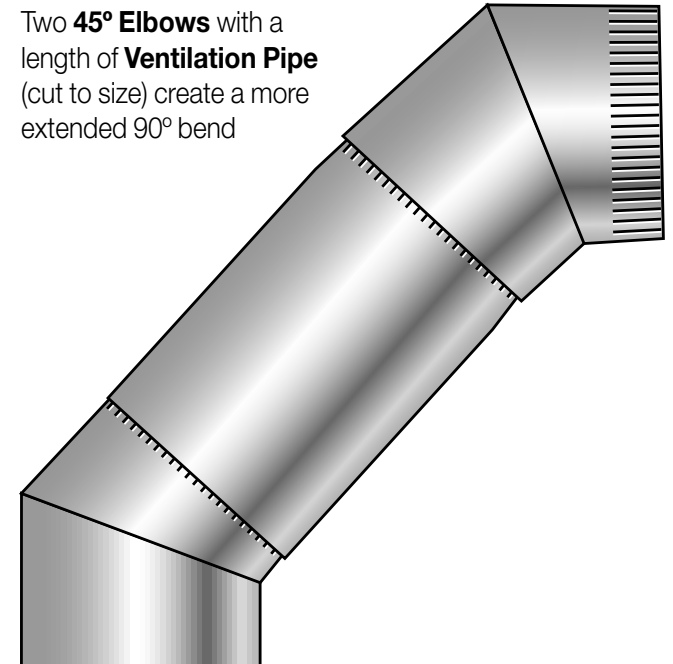
Two **45° Elbows** with a length of **Ventilation Pipe** (cut to size) create a longer offset at 45°



Two **45° Elbows** create a slightly extended 90° bend



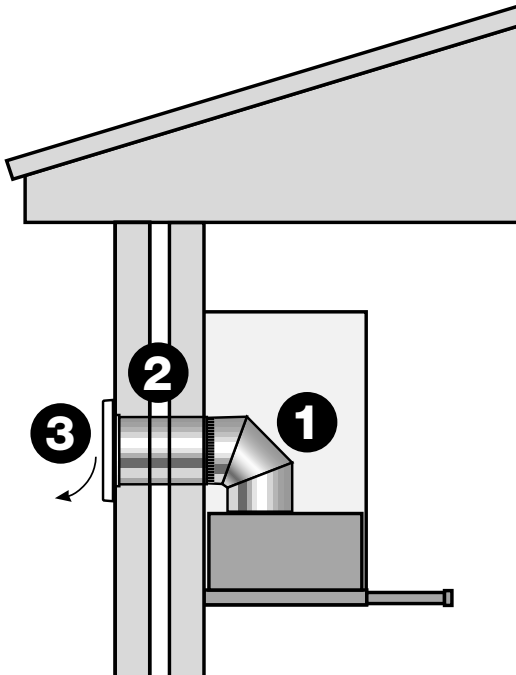
Two **45° Elbows** with a length of **Ventilation Pipe** (cut to size) create a more extended 90° bend



Installation Guide

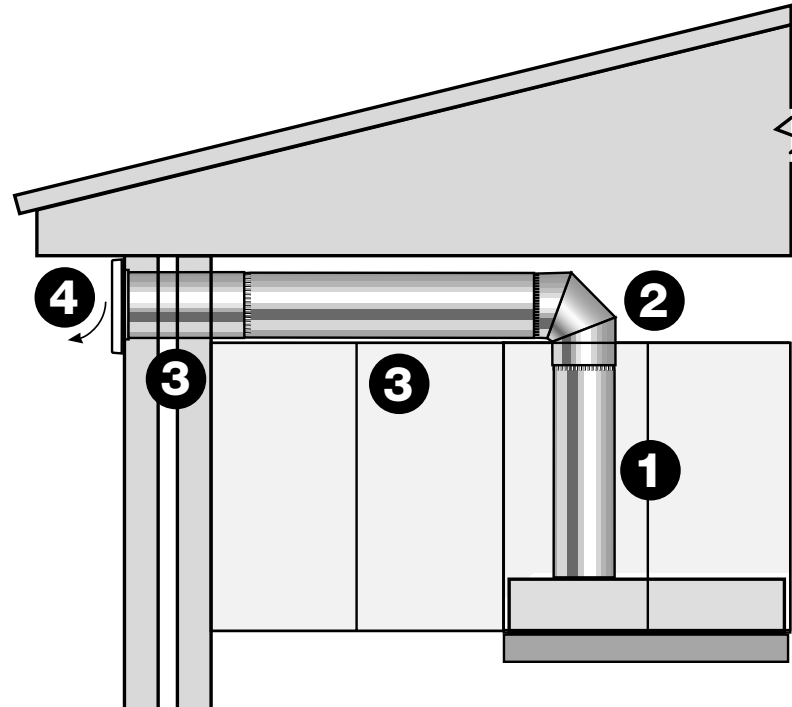
EzyVent™

Venting to Rear Wall or Side Wall



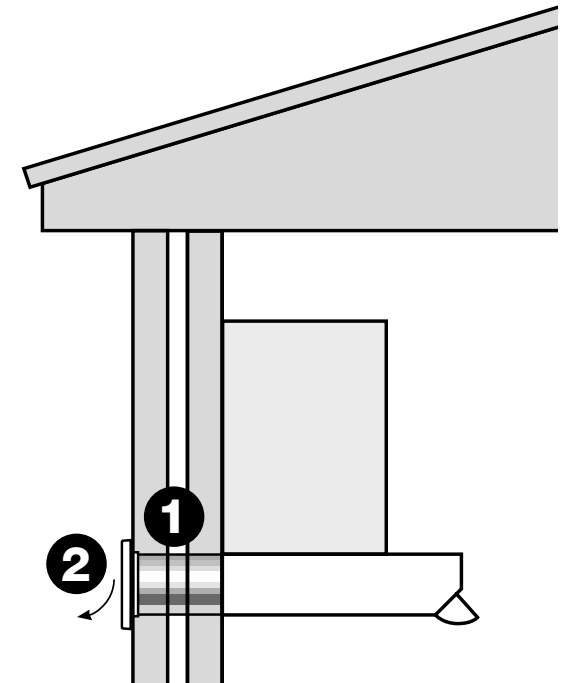
Outlet to rear wall

1. EV1XX-EB90 Elbow fitted to rangehood.
2. EV1XX-VP Ventilation Pipe cut* to size.
3. EV1XX-WX Wall Vent fixed to outside wall.
(Wall vent coupling ring fits inside the cut* Ventilation Pipe.)



Outlet to side wall

1. EV1XX-VP Vent Pipe fitted to rangehood outlet.
2. EV1XX-EB90 Elbow fitted to vertical Vent Pipe.
3. EV1XX-VP Vent Pipe(s) fitted to 90° Elbow.
4. EV1XX-WX Wall Vent fixed to outside wall.
(Wall Vent coupling ring fits inside cut* Vent Pipe.)



Rear outlet to rear wall

1. EV1XX-VP Vent Pipe fitted to rangehood outlet.
2. EV1XX-WX Wall Vent fixed to outside wall.
(Wall Vent coupling ring fits inside cut* Vent Pipe.)

*Remove the *crimped* end of the Ventilation Pipe that connects to a Wall Vent.
IMPORTANT – For all other uses, always shorten Ventilation pipe from the *uncrimped* end.

EzyVent™ is the quick, clean, safe, elegant solution to your rangehood ventilation needs. Just choose the configuration to suit your individual circumstances

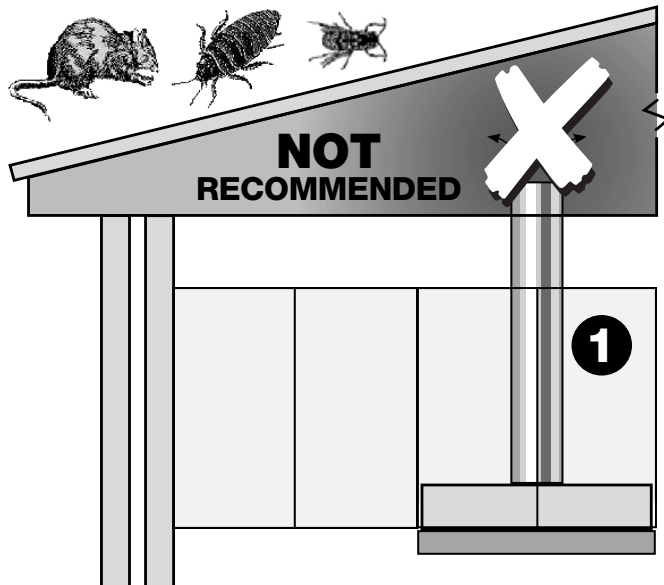
The key is to select the right diameter to ensure that your **EzyVent™** system connects properly to your rangehood, whether it has a top or rear outlet.

The six **EzyVent™** components are available in four sizes that fit all circular rangehood outlets or coupling ring diameters. If you don't have the correct components for installing your **EzyVent™** ventilation system, please contact your supplier before proceeding.

Diameters: 100 mm, 120 mm, 125 mm and 150 mm

Venting to Roof or Ceiling

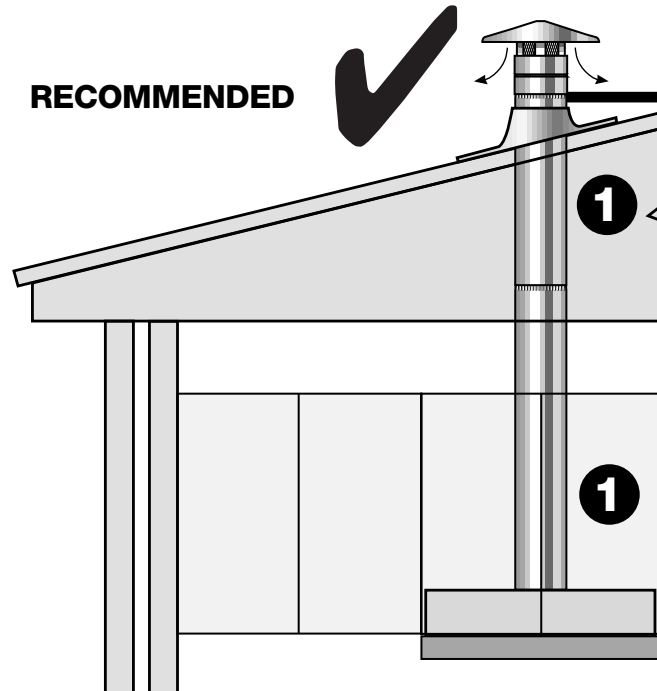
Venting into ceiling space causes build-up of grease and other flammable materials that attract rats, mice, possums, cockroaches, wasps, etc and can create a serious fire hazard



Outlet to ceiling

1. EV1XX-VP Venting Duct Pipe (900mm unit will reach from rangehood into most 2.4m ceilings)
Venting to outside is strongly recommended

RECOMMENDED



Outlet to roof

1. EV1XX-VP Ventilation Pipe(s).
2. EVF-SG Flashing for steel roof, EVF-TG or EVF-TR Flashing for tiled roof.
3. EV1XX-RC Roof Cowl with swage ring for added strength and to prevent Roof Cowl slipping down Ventilation Pipe and blocking air flow.

